

HPS-METAL HALIDE

80 Series *Rust Resistant Vandal-Resistant Ceiling Luminaire*
High Pressure Sodium 70W Maximum;
Metal Halide 70W Maximum



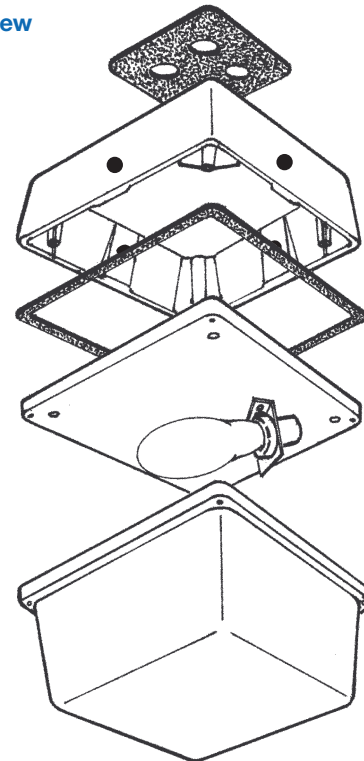
Designed for indoor/outdoor use where efficiency and style are as important as endurance to abuse by environmental elements or vandalism. Engineered with materials offering the **highest resistance to rust, corrosion, and impact**. The housing is non-conductive, insuring more safety to the end user. Smooth exterior lens allows ease of cleaning; clear prismatic interior assures optimum lumen output; rounded corners for increased strength. Ideally suited for schools, motels, apartments, parking areas, and commercial, industrial, and government establishments.

Specifications

Lens:	One piece, prismatic, injection molded of UV-stabilized polycarbonate in an average of .125" thickness. Smooth exterior surface for ease of cleaning.
Base Plate:	Rust resistant .063" 5052 H-32 tempered marine -grade aluminum.
Housing:	Injection molded of UV-stabilized reinforced bronze or white polycarbonate . Rear knockout for supply wire. Available with up to four threaded connections and plugs suitable for 1/2" conduit (specify connection positions).
Gasket:	Lens gasket and mounting gasket are closed-cell neoprene rubber.
Socket:	Medium-base phenolic. HPS and MH types are 4kV pulse rated.
Lamp: (optional)	Medium base, ED17.
Ballast:	Metal Halide and High Pressure Sodium types are High Power Factor (HPF) 120V or HPF 120/277V or HPF 120/208/240/277V.
Hardware:	Four stainless-steel 8-32 phillips truss head screws or tamperproof screws (TORX® type) attach lens to base plate.



Exploded View



SBA QUALIFIED
SMALL BUSINESS MANUFACTURER

TAA COMPLIANT
TRADE AGREEMENT ACT COMPLIANT

ETL-US and ETL-C Listed For Wet Locations.

All polycarbonate components meet Underwriters Laboratories 746C tests for polymeric material and carry a flammability rating of 94HB or better on lenses and the superior 94-5V rating on housings.

Luminaire Type _____
Catalog Number _____
Job Name _____
Approval _____

WF Harris Lighting, Inc.™

Innovative Lighting Designs Since 1970

P.O. Box 5023, Monroe, NC 28111-5023, USA

704.283.7477 (HEADQUARTERS) • 800.842.9345 (TOLL FREE)

e-mail: customerservice@wfarris.com

www.wfarrislighting.com

Form 1558

6/19

"A Live Operator Company Standing Ready to Serve Your Lighting Needs"

HPS - METAL HALIDE

Ordering Information (Fill In Blanks For Complete Catalog Number)

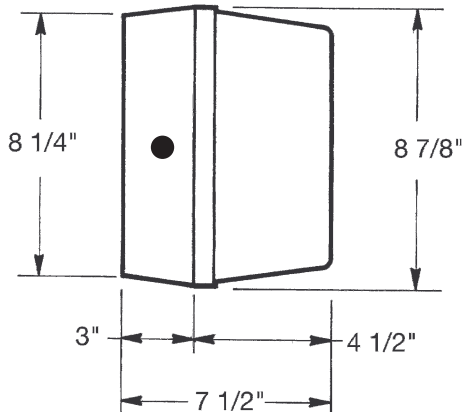
80	CP						
Model	Lens	Housing	Watts-Lamp	Power Factor	Volts	Options	Conduit Connection
Model	Lens	Housing	Watts/Lamp	Power Factor / Volts		Options	Conduit Connections
80	CP-Clear Prismatic	HW-White HB-Bronze	70 HPS 70 MH	HPF 120 ² HPF 120/277/347 ^{1,3} HPF 120/208/240/277 ^{2,3}		PC-Photo Control ⁴ LP-Medium Base Lamp FS-Fuse and Holder PS-BZ-Bronze Painted Sides	CRS-Right Side CLS-Left Side TPS-Tamperproof Screws CT-Top CB-Bottom C4-All Four Sides (Positions Based On Facing Fixture)

Accessories (Order Separately)
TPT-Tamperproof Screwdriver



- ¹ Available for 70HPS
- ² Available for 70MH
- ³ Specify Voltage- 120V or 208V or 240V or 277V or 347V
- ⁴ Specify Voltage - Either 120V or 277V Only

Dimensions



**SBA QUALIFIED
SMALL BUSINESS MANUFACTURER**

TAA COMPLIANT
TRADE AGREEMENT ACT COMPLIANT

**LENS AND HOUSING CARRY A
LIFETIME WARRANTY.**

Specifications Subject To Change Without Notice

Luminaire Is Warranted To Be Free Of Defects In Materials
And Workmanship For One Year From Invoice Date.

W.F. Harris Lighting, Inc.™

Innovative Lighting Designs Since 1970

P.O. Box 5023, Monroe, NC 28111-5023, USA

704.283.7477 (HEADQUARTERS) • 800.842.9345 (TOLL FREE)

e-mail: customerservice@wfharris.com

www.wfharrislighting.com

Printed in USA

Form 1558

6/19

"W. F. Harris Lighting Will Not Sacrifice Quality for the Sake of Price."