

# LED LUMINAIRE

## NON-EMERGENCY and EMERGENCY UNITS

### Model 1200-LED-4K

### Model 1200-LED-4K-EM

Rust Resistant  
Vandal Resistant  
Nonconductive



Vandal resistant, nonconductive LED wall and ceiling luminaires provide efficient, effective, and safe illumination. Non-emergency and emergency versions (EM units) of the product are available and allow continuity of aesthetics in multiple luminaire installations, eliminating the need for separate emergency-only units. Emergency mode in the EM luminaire automatically engages on an interruption of power and recharges upon power restoration.

Not only do both units meet the challenging issues of indoor/outdoor (Wet Location) applications, but also the EM unit in emergency mode exceeds UL924 illumination requirements. It provides approximately 30% illumination for greater than the industry standard 90-minute duration (in excess of 2 hours with new battery) all while maintaining the same photometric pattern of the unit in AC mode.

The **polycarbonate** lens and housing are nonconductive and self-extinguishing to assure more safety to the end user. In ambient temperatures the non-emergency unit operates between -40°C (-40°F) and 40°C (104°F); and in emergency mode, between 10°C (50°F) and 40°C (104°F). The luminaire utilizes high quality LEDs and Driver to further enhance reliability and durability while reducing power consumption.

These luminaires are ideal for normal and challenging locations requiring rugged, corrosion-resistant, brilliant and dependable lighting sources like in coastal areas, schools and universities, military and office buildings, hotels and motels, apartments and condominiums, government installations, and other areas needing highly vandal resistant and reliable illumination.

**LEDs contain no mercury and emit no ultraviolet light.**  
**LEDs will not break like all other lamps if the luminaire is dropped.**

## Specifications

<b>Lens:</b>	Injection molded lens of UV-stabilized <b>polycarbonate</b> . Average thickness is .125". Frosted clear lens interior provides optimal light output and diffusion; smooth exterior surface allows ease of cleaning; rounded corners increases impact strength and safety.
<b>Base Plate:</b>	<b>Rust resistant</b> .080" 5052 H-32 tempered marine-grade aluminum.
<b>Housing:</b>	Injection molded of UV-stabilized reinforced white or bronze <b>polycarbonate</b> . Rear knockout for supply wire. Available with up to four threaded connections and plugs suitable for .50" conduit (specify conduit connections).
<b>Gasket:</b>	Lens gasket and mounting gasket are closed-cell neoprene rubber.



**LEDs:** **High Quality Lighting Grade LEDs**  
3,000-5,000K Color Temperature.  
**Emergency Mode Lumens: 1,275**  
**Non-Emergency Mode Lumens: 4,000 LED**  
Lumen Maintenance = 96,000 hours  
(TM-21-11 70% Projection)  
**Warranted for five (5) years.**

**Driver:** **High Quality Driver**  
Class 2 Power Supply. AC Input: 120-277V  
**Power = 40 Watts**  
**Emergency Power = 43 Watts**  
**FC cULUS**  
Complies with FCC rules and regulations, as per Title 47 CFR Part 15 Non-Consumer (Class A) for EMI/RFI (conducted and radiated) at full load.  
**Warranted for five (5) years.**

**Hardware:** Four stainless steel 8-32x3/8 phillips truss head screws or tamperproof screws attach lens to base plate. Four zinc-plated steel 1/4-15x3/4 phillips pan head screws attach base plate to housing.

ETL-US and ETL-C Listed for Wet Location Applications  
(UL1598 for Non-Emergency Operation. UL924 for Emergency Operation.)

All polycarbonate components meet Underwriters Laboratories 746C tests for polymeric material and carry a flammability rating of 94HB or better on lenses and the superior 94-5V rating on housings.

Luminaire Type \_\_\_\_\_  
Catalog Number \_\_\_\_\_  
Product Code \_\_\_\_\_  
Job Name \_\_\_\_\_



**SBA QUALIFIED  
SMALL BUSINESS MANUFACTURER**

**TAA COMPLIANT**  
TRADE AGREEMENT ACT COMPLIANT

## WF Harris Lighting, Inc.™

**Innovative Lighting Designs Since 1970**

P.O. Box 5023, Monroe, NC 28111-5023, USA  
704.283.7477 (HEADQUARTERS) • 800.842.9345 (TOLL FREE)  
e-mail: customerservice@wfharris.com  
www.wfharrislighting.com

Form 2574-11AI

"A Live Operator Company Standing Ready to Serve Your Lighting Needs."

# LED LUMINAIRE

## Ordering Information

Fill In Blocks For Complete Model Number

1200-LED-4K

Model

Housing Color

HW - White Housing  
HB - Bronze Housing

Operation

EM - Emergency  
For ordering  
non-emergency  
operation, please  
leave blank.

Options

CRS - Conduit Connection Right Side <sup>1,2</sup>  
CLS - Conduit Connection Left Side <sup>1,2</sup>  
CT - Conduit Connection Top <sup>1,2</sup>  
CB - Conduit Connection Bottom <sup>1,2</sup>  
C4 - Conduit Connections All 4 Sides <sup>1,2</sup>  
TPS - Tamperproof Screws (4) <sup>2</sup>

## Accessories

(Order Separately)

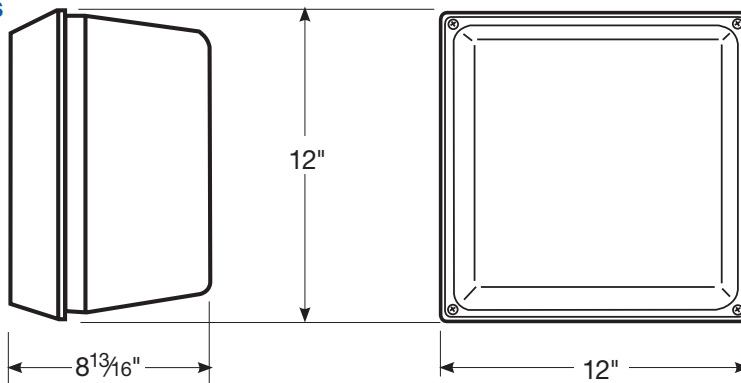
TPT-Tamperproof Screwdriver



<sup>1</sup> Positions based on facing luminaire.

<sup>2</sup> Additional Charge.

## Dimensions



## Weight

1200-LED-4K = 6.6 lbs.

1200-LED-4K-EM = 8.5 lbs

## LEDs and the W. F. Harris Lighting Advantage

The lighting grade LEDs used by W. F. Harris Lighting provide the long sought-after stability demanded for commercial illumination in brightness, efficacy, life time, and color temperatures. Can be used in commercial/industrial illumination applications, hospitals, schools, universities, government buildings, military installations and freezer applications.

W. F. Harris Lighting LED-based luminaires reduce ownership costs through four factors –

- (1) Maintenance avoidance – LEDs last much longer than traditional lamps plus the luminaire is rust resistant and vandal resistant.
- (2) Reduced energy cost of the LEDs.
- (3) Reduced cost in operation of freezer compressors due to lower wattage and less heat.
- (4) LEDs do not break when dropped like ordinary lamps.

These lighting grade LEDs offer efficient illumination that - depending on the application - can last up to 100,000 hours before their light output falls below 70% of original illumination and even longer in refrigerated environments.



MADE IN AMERICA

SBA QUALIFIED  
SMALL BUSINESS MANUFACTURER

TAA COMPLIANT  
TRADE AGREEMENT ACT COMPLIANT

LENS AND HOUSING CARRY A  
LIFETIME GUARANTEE AGAINST BREAKAGE.

Specifications Subject to Change Without Notice.

## W.F. Harris Lighting, Inc.™

Innovative Lighting Designs Since 1970

P.O. Box 5023, Monroe, NC 28111-5023, USA

704.283.7477 (HEADQUARTERS) • 800.842.9345 (TOLL FREE)

e-mail: customerservice@wfharris.com

www.wfharrislighting.com

© 2019 W. F. Harris Lighting, Inc.

Printed in USA

Form 2574-11AI

W. F. Harris Lighting Will Not Sacrifice Quality for the Sake of Price.™